

# CRYSTORAMA

LIGHTING THE WAY FOR SIXTY YEARS

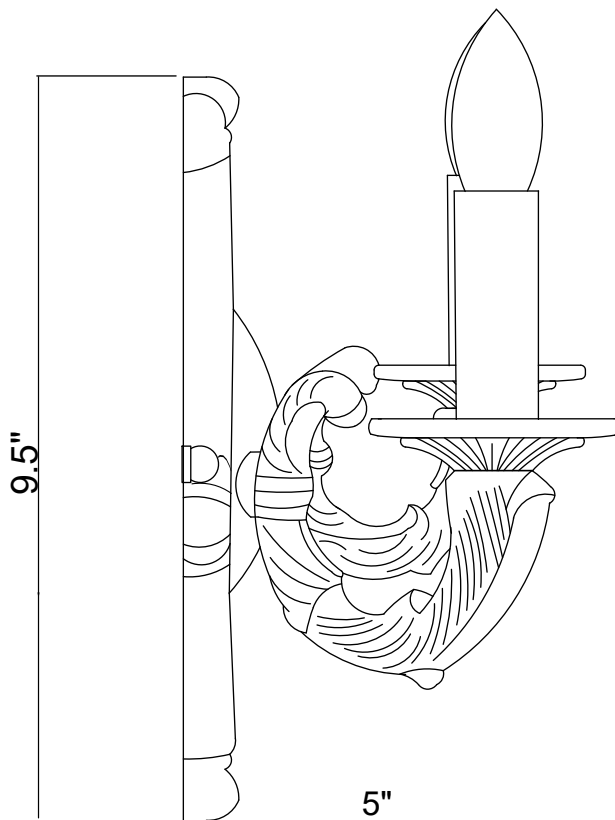


Crystorama.com

## ASSEMBLY INSTRUCTION MODEL #5122-VB



10"



### WARNING:

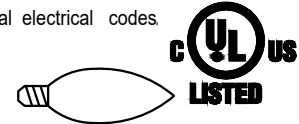


Electrical Danger



Turn Power Off

All electrical components must be installed by a licensed electrician in accordance with the National Electric Code and the appropriate local electrical codes.




You will need 2-Candelabra Base Bulb  
40 Watts recommended 60 Watts Max.  
USE LED BULBS FOR EXTENDED USE

The fixture is Damp rated

### HOW TO INSTALL:

Place the fixture parts on a soft cloth-covered platform before installation of fixture.

1. Install the crossbar onto the outlet box.
2. Place the backplate over the crossbar and secure with the finial.
3. Place the Metal candle sleeve over the socket.

 **WARNING:** This product can expose you to Lead, which is known to the State of California to cause cancer and/or birth defects or reproductive harm. For more information go to [www.p65warnings.ca.gov](http://www.p65warnings.ca.gov)

# CRYSTORAMA



LIGHTING THE WAY FOR SIXTY YEARS

## ASSEMBLY INSTRUCTION MODEL #5122-VB

### Part Number

#### Part Numbers

- A. (1)-Mounting hardware
  - Crossbar x1.
  - Wire connector x2.
  - Lock washer x1.
  - Hex nut x1.
  - Threaded nipple x1.
  - Screw x2.
- B. (1)-Fixture body kit
  - Backplate x1 ; W6 1/2", H9 1/2".
  - 3.5" Arm x2.
  - Ø3 1/8" Bobeche x2 ; 4pin, 10.3mm center hole.
  - XSN5021VBBOB3.375IN
- B. (1)-Fixture body kit
- C. (2)-Metal candle sleeve ; H3 1/4"  
XSN5021VBCDL3.25IN
- D. (2)-White PVC candle sleeve  
XSN5021WHCDL3.25IN
- E. (1)-Finial

