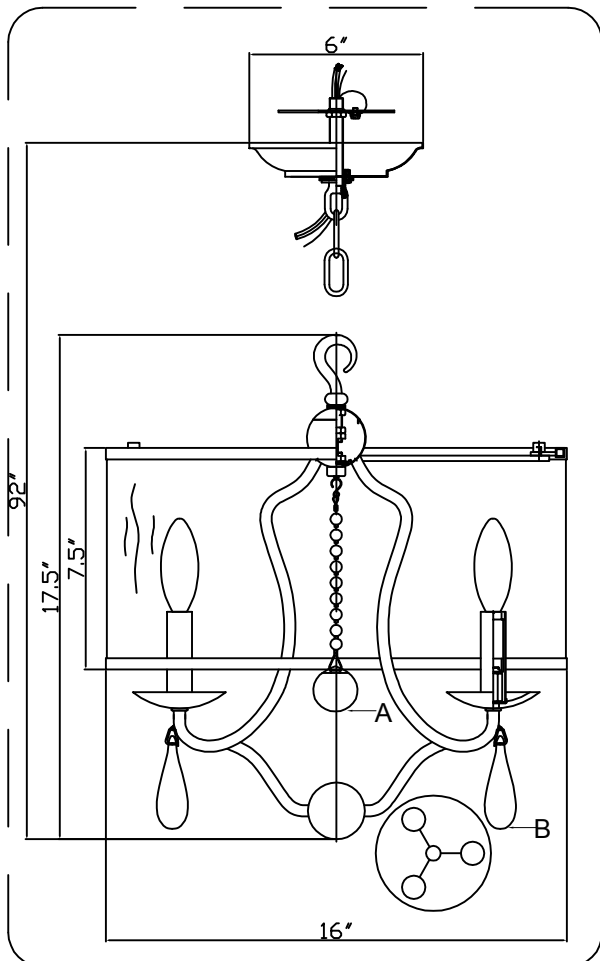


CRYSTORAMA

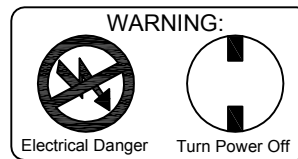
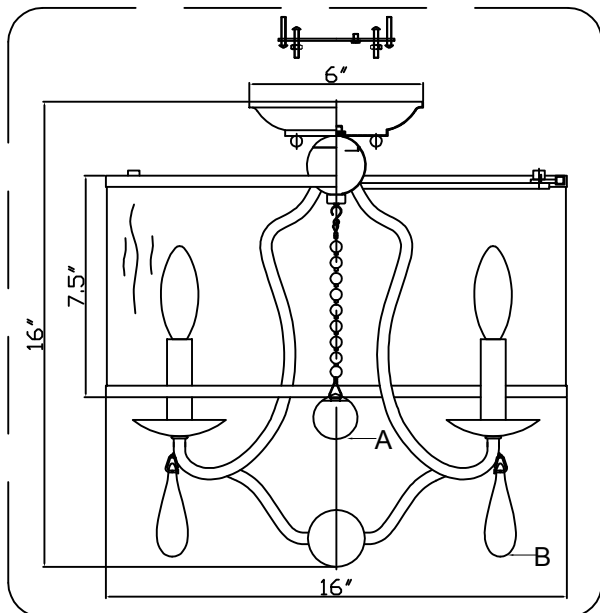
LIGHTING THE WAY FOR SIXTY YEARS

ASSEMBLY INSTRUCTION MODEL #5973-SL

For Hanging



For Ceiling



All electrical components must be installed by a licensed electrician in accordance with the National Electric Code and the appropriate local electrical codes.



You will need 3 - Cand.Bulb

40 Watts Recommended

60 Watts Max

USE LED BULBS FOR EXTENDED USE

How to Install For Hanging

1. Install the bulbs(not included) to the socket.
2. Install the fabric shade to the fixture body.
3. Hang the crystal drop to the body.
4. The canopy of the fixture can be mounted to the ceiling.

How to Install For Ceiling

1. Remove the hook, attach the ceiling canopy to the wire house by screw. and attach the canopy with two mounting holes.
2. Install the fabric shade to the fixture body.
3. Hang the crystal drop to the body.
4. The canopy of the fixture can be mounted to the ceiling.

Crystal sets

- A. 1 piece. (1)40mm+(9)10mm.
B. 3 pieces. (1)27X82mm.

A = (9X10mm+1X40mm Ball)X1

B = (27X82mm Crystal)X3



WARNING: This product can expose you to Lead, which is known to the State of California to cause cancer and/or birth defects or reproductive harm. For more information go to www.P65Warnings.ca.gov

CRYSTORAMA

LIGHTING THE WAY FOR SIXTY YEARS

PART NUMBER MODEL #5973-SL

Part Number

Part Numbers

- A. (1)-Mounting Hardware For Hanging
- B. (1)-Canopy For Hanging;W6"XH1"; XSU5973SLCAN6IN
- C. (1)-Chain;72";4.0mm; XSU5973SLCHA4MM
- D. (1)-Mounting Hardware For Ceiling
- E. (1)-Canopy For Ceiling;W6"XH1"; XSU5973SLCAN6INC
- F. (2)-Ball Nut; XSU5973SLBANUT
- G. (1)-Hook
- H. (1)-Finial; XSU5973SLFIN
- I. (4)-Crystal Loop
- J. (3)-Column Nut
- K. (1)-Fabric Shade;W16"XH7.75"; XSU5973SLSHA16IN
- L. (1)-Fixture Body
- M. (3)-Candle Sleeve;φ0.75"X3"; XSU5973SLCDL3IN
- N. (3)-Socket
- O. (3)-Bobèche ;W3.25"H0.5"; XSU5973SLBOB3.25IN
- P. (1)-Wire house

