

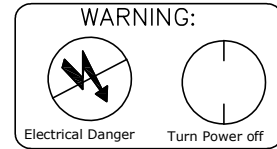
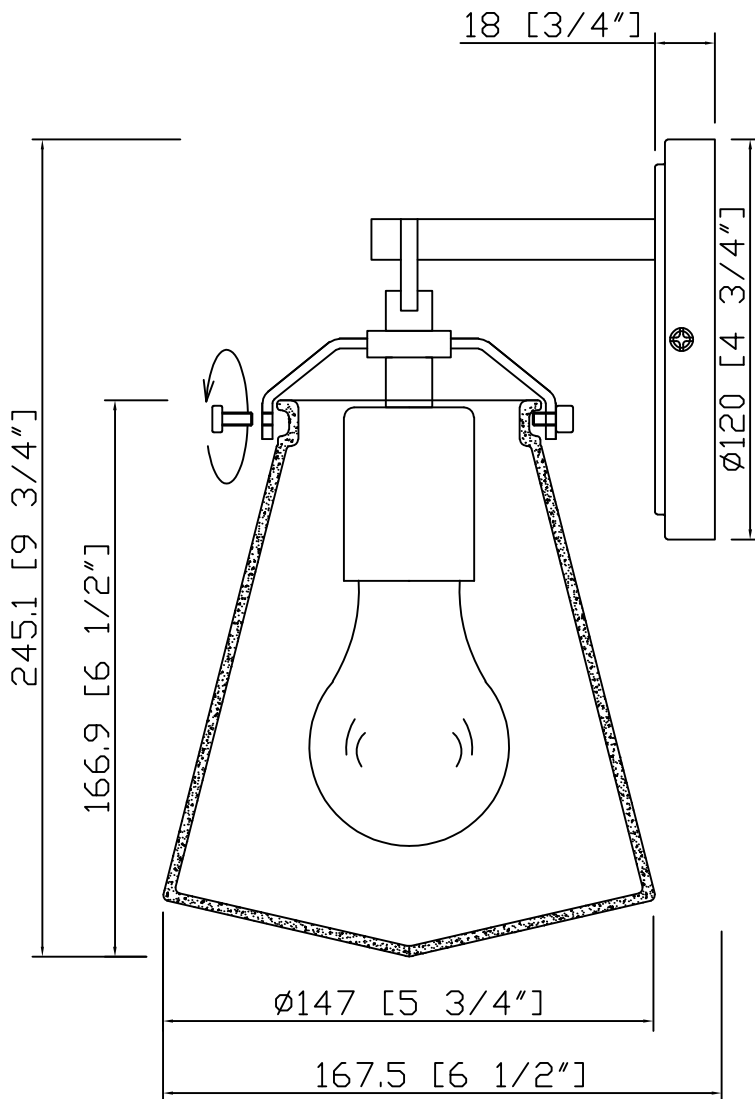
CRYSTORAMA

LIGHTING THE WAY FOR SIXTY YEARS

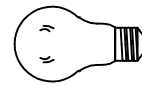


Crystorama.com

ASSEMBLY INSTRUCTION MODEL #VSS-7001-PN



All electrical components must be installed by a licensed electrician in accordance with the National Electric Code and the appropriate local electrical codes.



You will need 1 – Med. Bulb
40 Watts Recommended 60 Watts Max

USE LED BULBS FOR EXTENDED USE This
fixture is Damp rated

How to Install

1. Install the mounting plate onto the outlet box using the two outlet box screws.
2. Place the frame over the mounting plate and secure with the screws.
3. Install the bulb onto the socket.
4. Slide the glass over the light cluster and let the spoke hold the glass by using the cap nuts. Do not over tighten it to prevent the glass from breaking.



WARNING: This product can expose you to Lead, which is known to the State of California to cause cancer and/or birth defects or reproductive harm. For more information go to www.P65Warnings.ca.gov

CRYSTORAMA

LIGHTING THE WAY FOR SIXTY YEARS



Crystorama.com

ASSEMBLY INSTRUCTION MODEL #VSS-7001-PN

Part Number

Part Numbers

- A. (1)-Mounting hardware
- B. (1)-Frame
- C. (2)-Screws
- D. (1)-Light cluster
- E. (1)-Clear glass shade Ø5.75"×H6.5"
(XAR7001GLA5.75IN)
- F. (4)-Cap nut
- G. (1)-Backplate W4-3/4"×H3/4"
(XAR7001PNBKP4.75IN)

