

CRYST RAMA



1958

95 Cantiague Rock Road, Westbury NY 11590

ph:516.931.9090 fax: 516. 931.1254

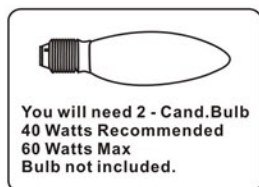
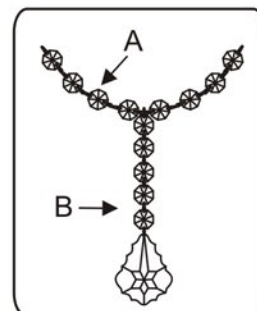
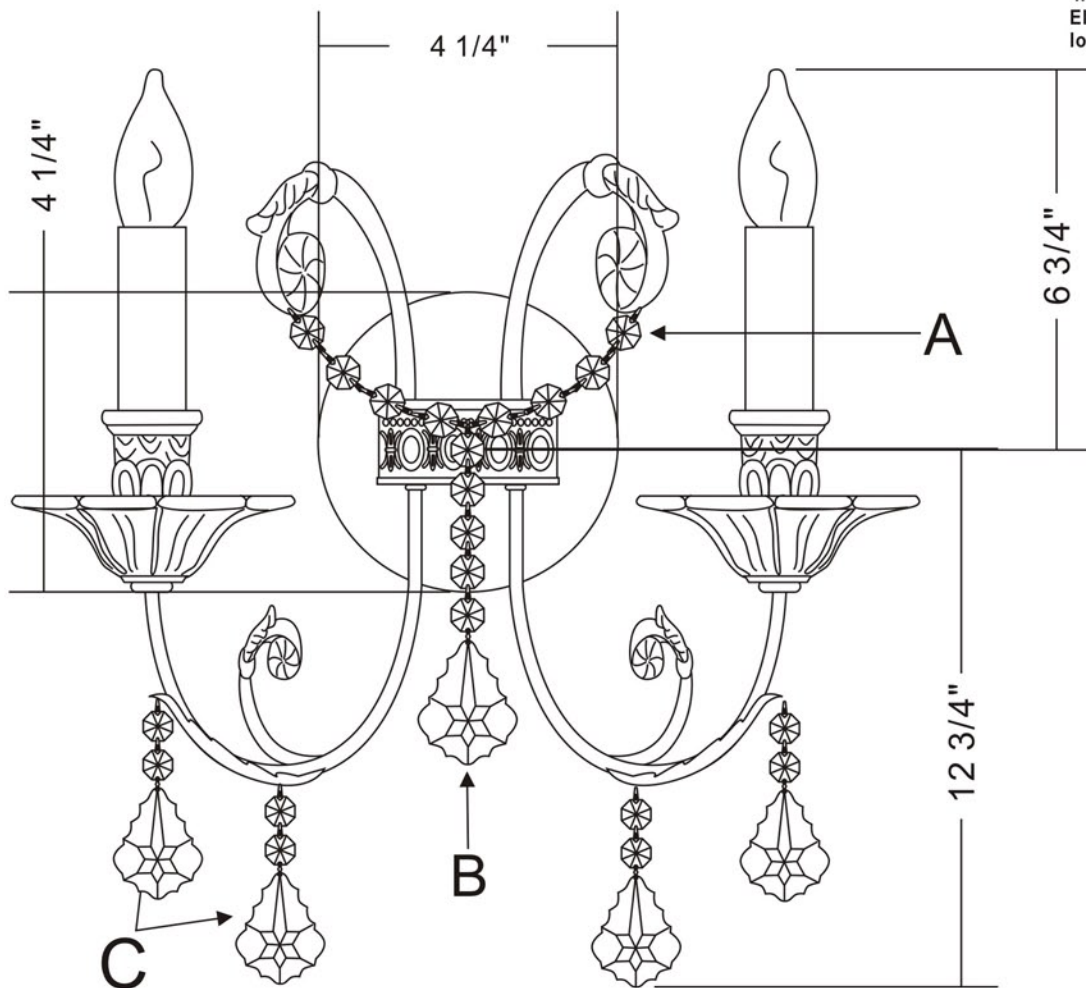
info@crystorama.com www.crystorama.com


MODEL#:5112

ASSEMBLY AND DRESSING INSTRUCTIONS




All electrical components must be installed by a licensed electrician in accordance with the National Electric Code and the appropriate local electrical codes.



A =  (14mm * 8) * 1 set

B =  (14mm * 5 + 76mm) * 1 set

C =  (14mm * 2 + 76mm) * 4 sets

