

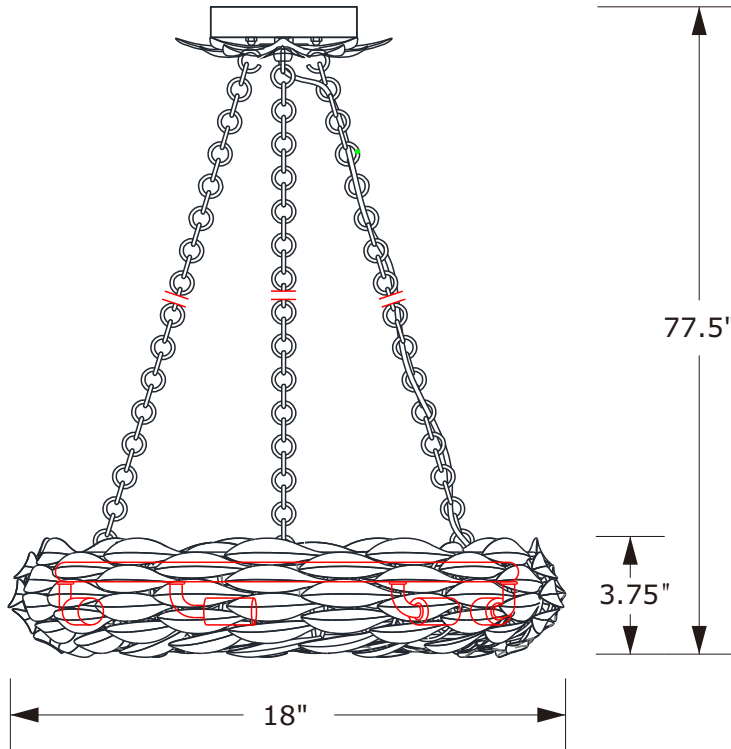
# CRYSTORAMA

LIGHTING THE WAY FOR SIXTY YEARS



Crystorama.com

## ASSEMBLY INSTRUCTION MODEL # 535-SA



All electrical components must be installed by a licensed electrician in accordance with the National Electric Code and the appropriate local electrical codes.

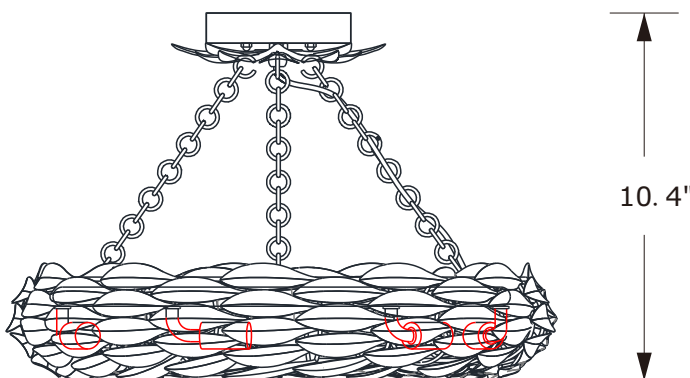


Fixture uses 6-LED G9 Bulb 3.5 Watts Max (Included)  
USE LED BULBS FOR EXTENDED USE  
THIS FIXTURE IS DAMP RATED

### How to install

1. Remove three screws using a screwdriver.
2. Take the tube ring out of the leaf frame and install the LED G9 Bulbs (Included) onto the socket. Put the tube ring back inside the leaf frame and secure with screws.
3. Determine the preferred hanging height and adjust the chain accordingly.
4. Take one hanging chain. Hang one end onto the hook under the canopy and hang the other end onto the hook inside the leaf assembly. Repeat for the other two chains.
5. Weave the fixture wire through one of the hanging chains and through the canopy.
6. Install the mounting bar onto the outlet box.
7. Raise the fixture up and do the wire connection. Secure the canopy with ball nut.

### SEMI FLUSH



**WARNING:** This product can expose you to Lead, which is known to the State of California to cause cancer and/or birth defects or reproductive harm. For more information go to [www.P65Warnings.ca.gov](http://www.P65Warnings.ca.gov).

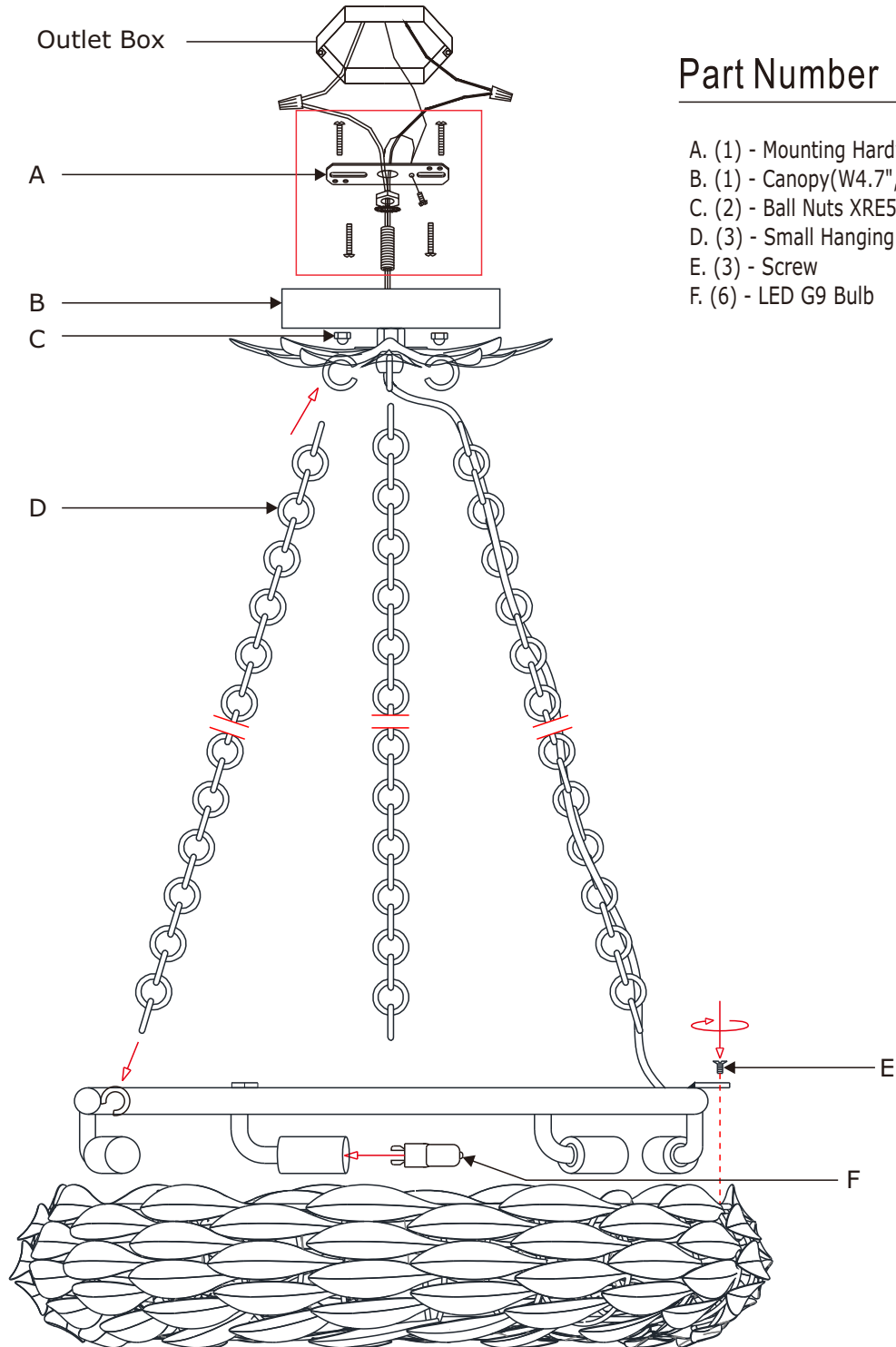
# CRYSTORAMA

LIGHTING THE WAY FOR SIXTY YEARS



Crystorama.com

**PART NUMBER**    **MODEL # 535-SA**



## Part Number

- A. (1) - Mounting Hardware
- B. (1) - Canopy(W4.7",H0.78") #XRE514SACAN4.72IN
- C. (2) - Ball Nuts XRE500SABANUT
- D. (3) - Small Hanging Chain(72"3mm) #XRE536SACHA3MM
- E. (3) - Screw
- F. (6) - LED G9 Bulb